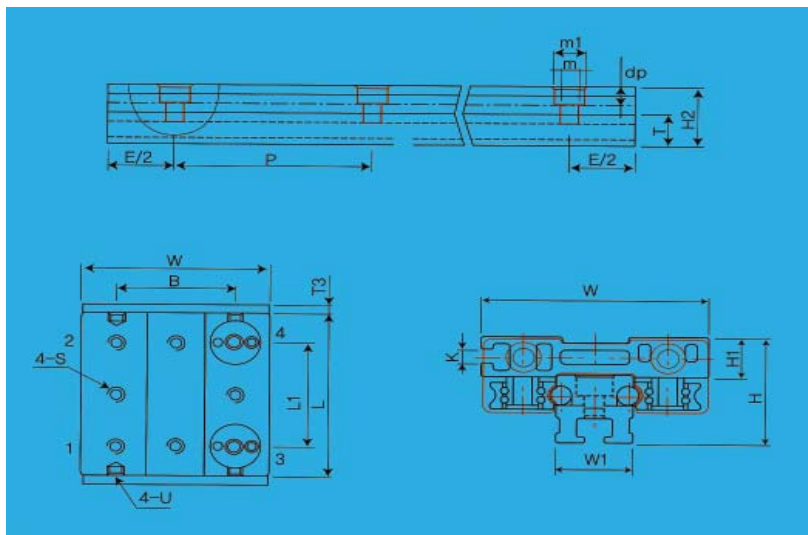


| SPEED DEMON OSGR ( RAIL ) |     |    |    |       |       |       |             |     |     |     |    |
|---------------------------|-----|----|----|-------|-------|-------|-------------|-----|-----|-----|----|
| Part No.                  | W   | H  | W1 | H2    | T     | Shaft | Weight (gm) | m   | m1  | dp  | P  |
| OSG-20                    | 60  | 32 | 20 | 20.25 | 11.45 | 6     | 1230        | 5.5 | 9.5 | 5.5 | 60 |
| OSG-25                    | 80  | 37 | 25 | 24.75 | 13.93 | 8     | 2015        | 6.5 | 11  | 6.5 | 60 |
| OSG-30                    | 100 | 46 | 30 | 30.3  | 16.18 | 10    | 2987        | 6.5 | 11  | 6.5 | 60 |
| OSG-40                    | 130 | 55 | 40 | 36.2  | 18.7  | 12    | 5216        | 8.5 | 14  | 9   | 60 |

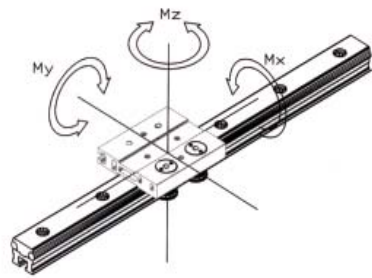
| SPEED GUIDE OSGB ( BLOCK ) |     |      |     |    |    |     |    |     |             |             |                 |                 |                 |
|----------------------------|-----|------|-----|----|----|-----|----|-----|-------------|-------------|-----------------|-----------------|-----------------|
| Part No.                   | W   | H1   | L   | B  | L1 | S   | U  | K   | Yo Load (N) | Zo Load (N) | Mxo Moment (Nm) | Myo Moment (Nm) | Mzo Moment (Nm) |
| OSG-20                     | 60  | 12   | 60  | 38 | 38 | M5  | M5 | 4.2 | 700         | 660         | 23.03           | 33.41           | 35.47           |
| OSG-25                     | 80  | 12   | 80  | 51 | 51 | M6  | M6 | 4.2 | 1000        | 1400        | 62.76           | 95.2            | 68              |
| OSG-30                     | 100 | 16.5 | 100 | 61 | 61 | M8  | M6 | 5.2 | 1800        | 2100        | 105.98          | 172.54          | 147.89          |
| OSG-40                     | 130 | 18   | 130 | 84 | 84 | M12 | M6 | 6.2 | 4000        | 4000        | 280.64          | 448             | 448             |

EXAMPLE PART NUMBER: OSG 20UU-2-2000

P/N Size = 20 UU = seals 2 = Bearing Blocks 2000 = Rail Length in mm



Double angular rollers for smooth, high speed linear motion.



Moment Loading Legend



Easy adjustment of roller/shaft preload via conveniently located eccentric nuts.



Lightweight extruded aluminum rail features RC60 precision ground shafts. 440C stainless steel is available. Max Length is: 4000mm

# LM76

Linear Motion Bearings that EXCEED the Challenge!



www.LM76.com  
1-800-513-3163

**SPEED DEMON**  
Linear Motion Bearings